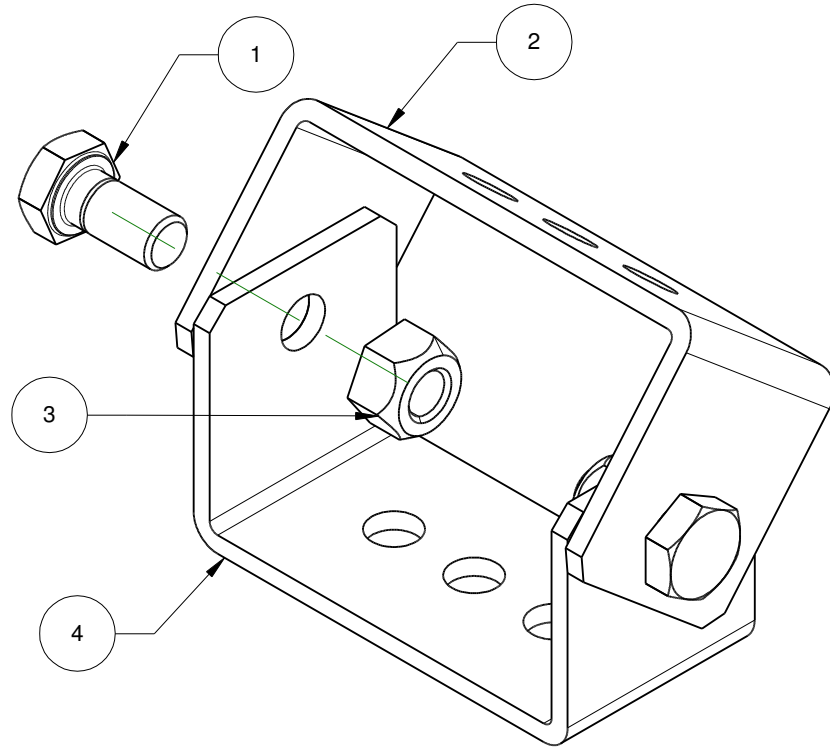


Rev.	Note	Date	Signature	Checked

Item Number	Quantity	Part Number	Part Name
1	2	80112.00	M8x16 ISO4017 6 Kantschraube
2	1	70113.00	70113 00 DRW TDC-KG Kreuzgelenk Oberteil
3	2	80121.00	M8 DIN985 Sicherungsmutter
4	1	70114.00	70114 00 DRW TDC-KG Kreuzgelenk Unterteil



Not dimensioned tolerances:
 <= 200mm ±0.1mm
 > 200mm ±0.2mm

	Material:	Art. Nr: 14012	
Drawn by PH	Approval by / date / stamp	Date 22.03.2018	Scale
Kreuzgelenk TDC-KG		Comment:	
		 Gublenstrasse 1 8733 Eschenbach SG www.adec-technologies.ch	Revision 00