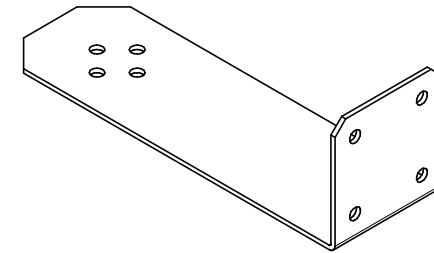
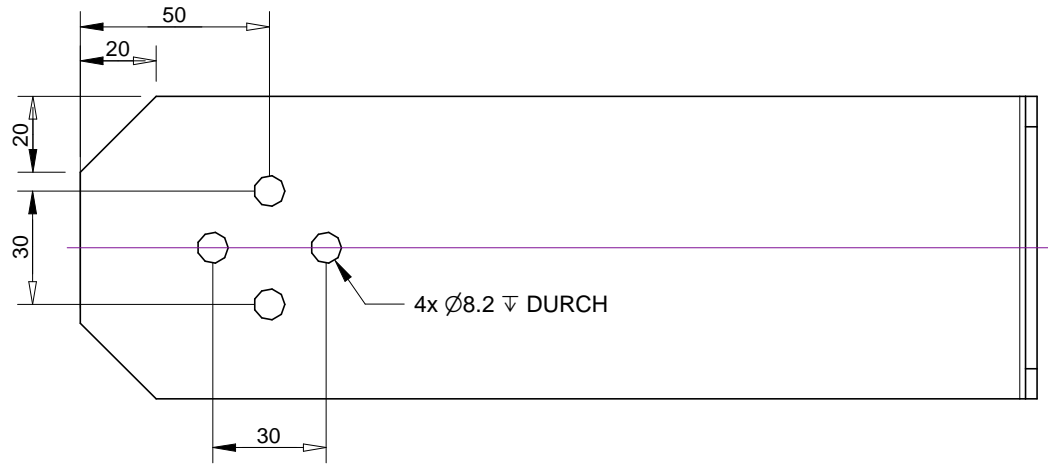
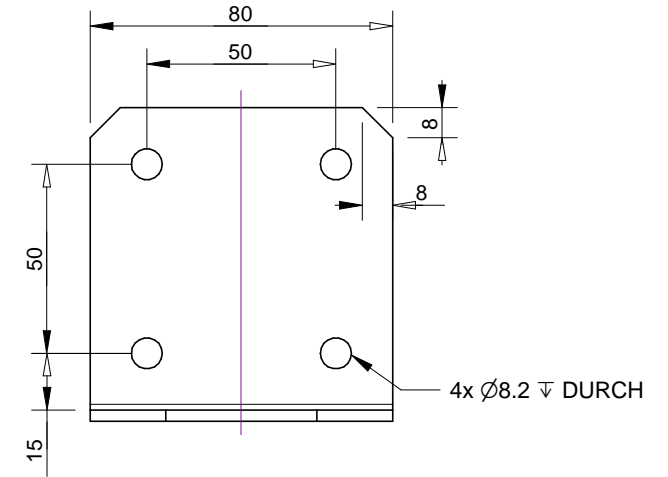
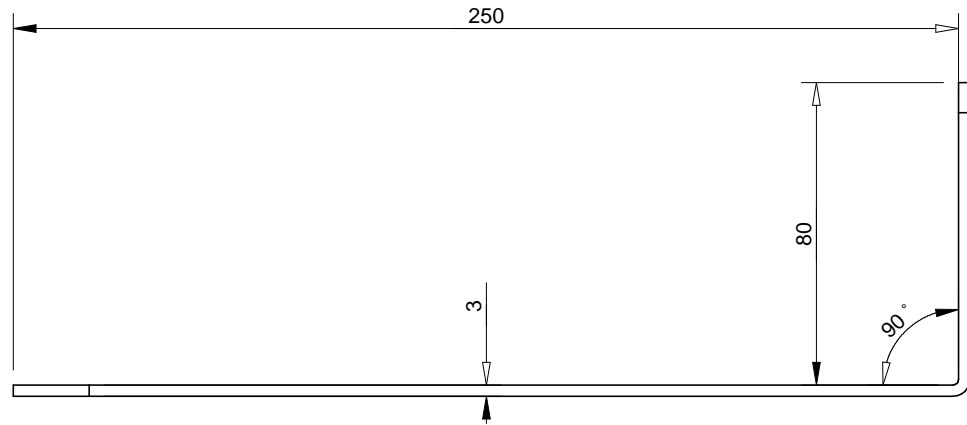


RevNo	Revision note	Date	Signature	Checked



Nicht vermasste Toleranzen:
 ≤ 200mm ±0.1mm
 > 200mm ±0.2mm

		Material: V2A / V4A (Kanten trovalisiert)		Art. Nr: 70112
Drawn by PH	Checked by PH	Approved by - date	Sign	Date 06.03.2009
Scale 1:2				
Montagewinkel 90° TDC-3-X		Comment:		
		Edition 00	Sheet 1/1	