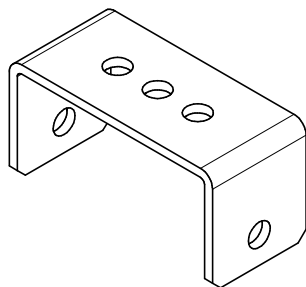
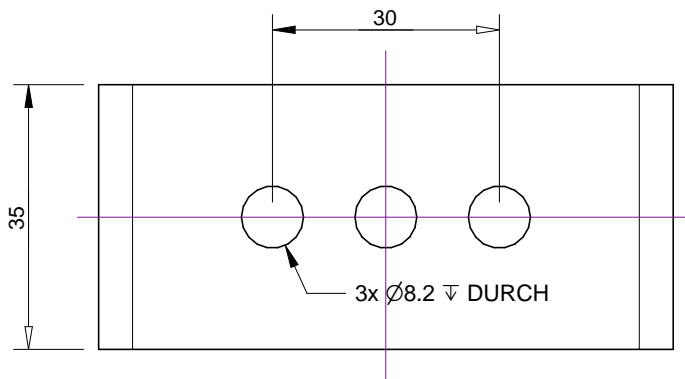
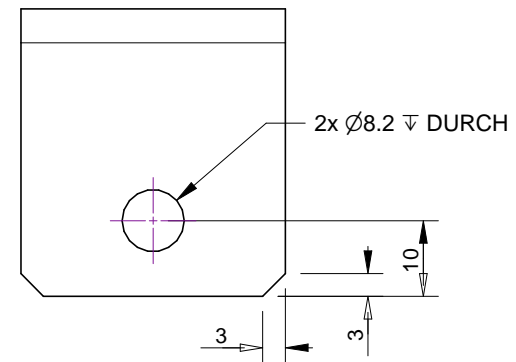
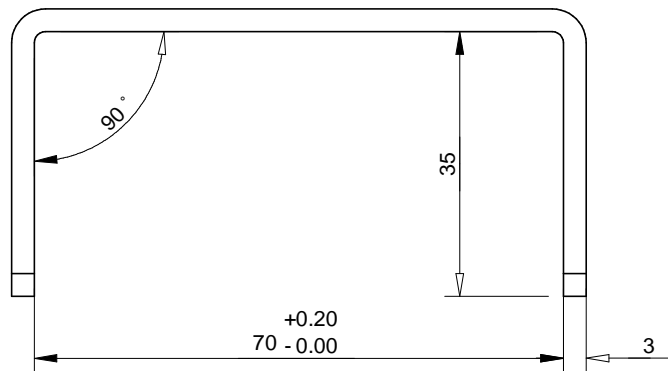


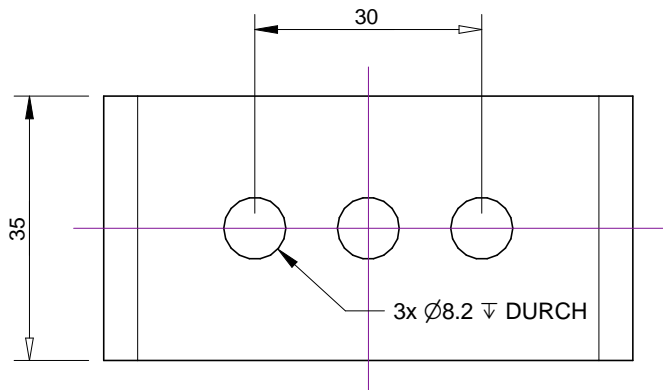
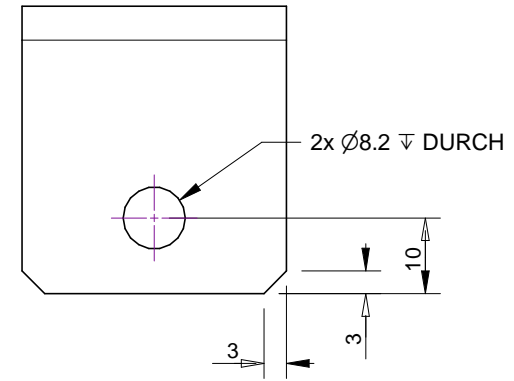
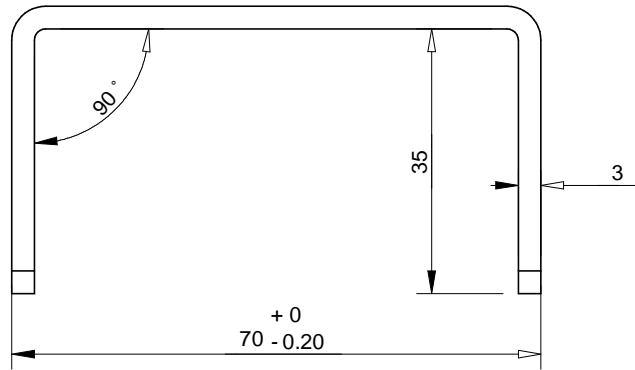
RevNo	Revision note	Date	Signature	Checked



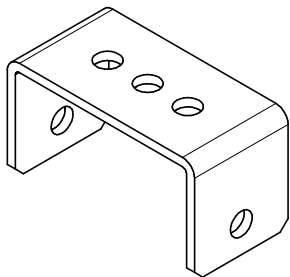
Nicht vermasste Toleranzen:  
 <= 200mm ±0.1mm  
 > 200mm ±0.2mm

Material: V2A/V4A Dicke 3mm		Art. Nr: 70113	
Drawn by PH	Checked by PH	Approved by - date	Sign
<b>Kreuzgelenk Oberteil</b>		Date 13.03.2009	Scale 1:1
<b>TDC-3-X</b>		Comment:	
		Edition 00	Sheet 1/1

RevNo	Revision note	Date	Signature	Checked



Nicht vermasste Toleranzen:  
 <= 200mm ±0.1mm  
 > 200mm ±0.2mm



Material: V2A/V4A Dicke 3mm		Art. Nr: 70114	
Drawn by PH	Checked by PH	Approved by - date	Sign Date 13.03.2009
<b>Kreuzgelenk Unterteil</b> <b>TDC-3-X</b>		Comment:	
		Edition 00	Sheet 1/1